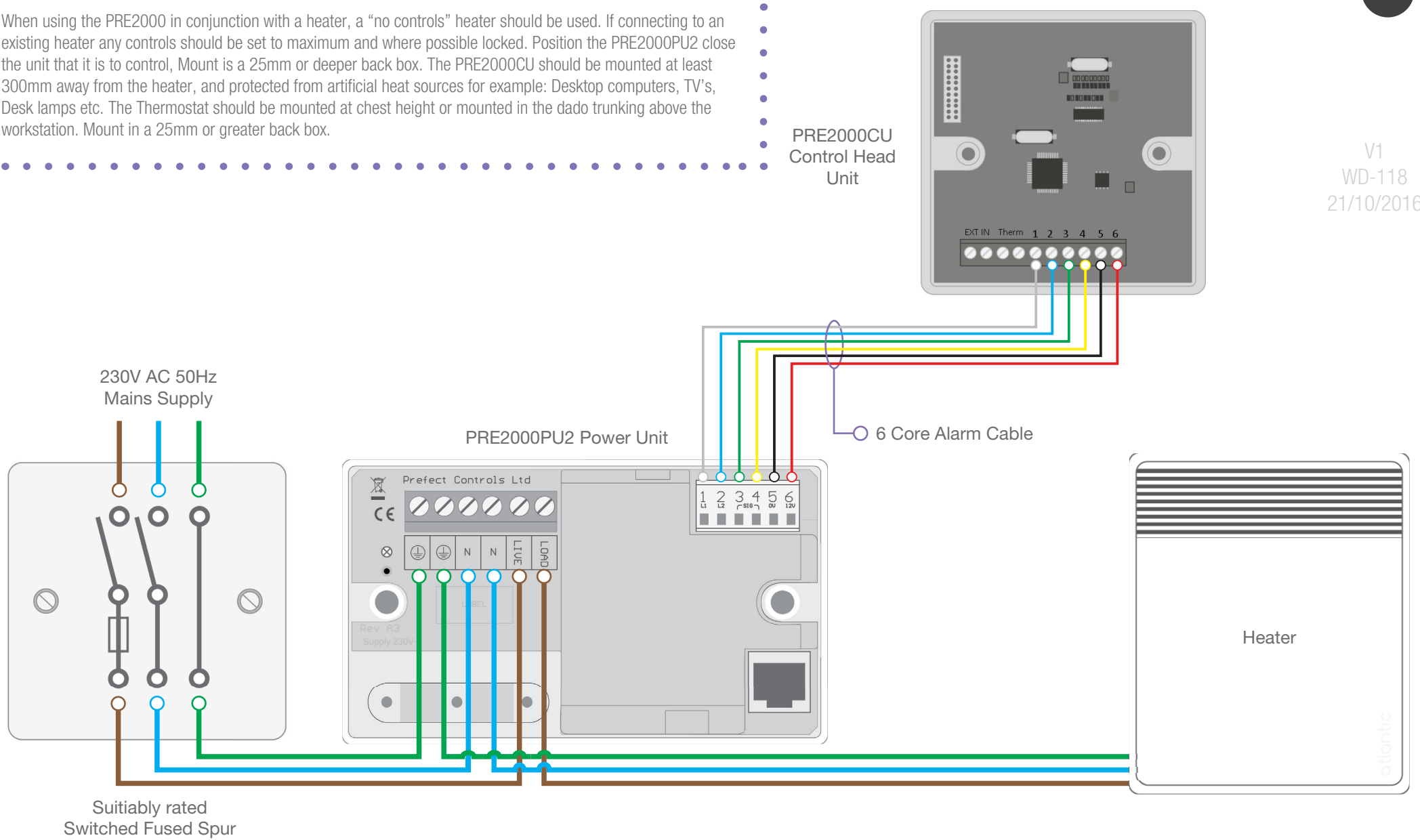


When using the PRE2000 in conjunction with a heater, a "no controls" heater should be used. If connecting to an existing heater any controls should be set to maximum and where possible locked. Position the PRE2000PU2 close the unit that it is to control, Mount is a 25mm or deeper back box. The PRE2000CU should be mounted at least 300mm away from the heater, and protected from artificial heat sources for example: Desktop computers, TV's, Desk lamps etc. The Thermostat should be mounted at chest height or mounted in the dado trunking above the workstation. Mount in a 25mm or greater back box.



V1  
WD-118  
21/10/2016

