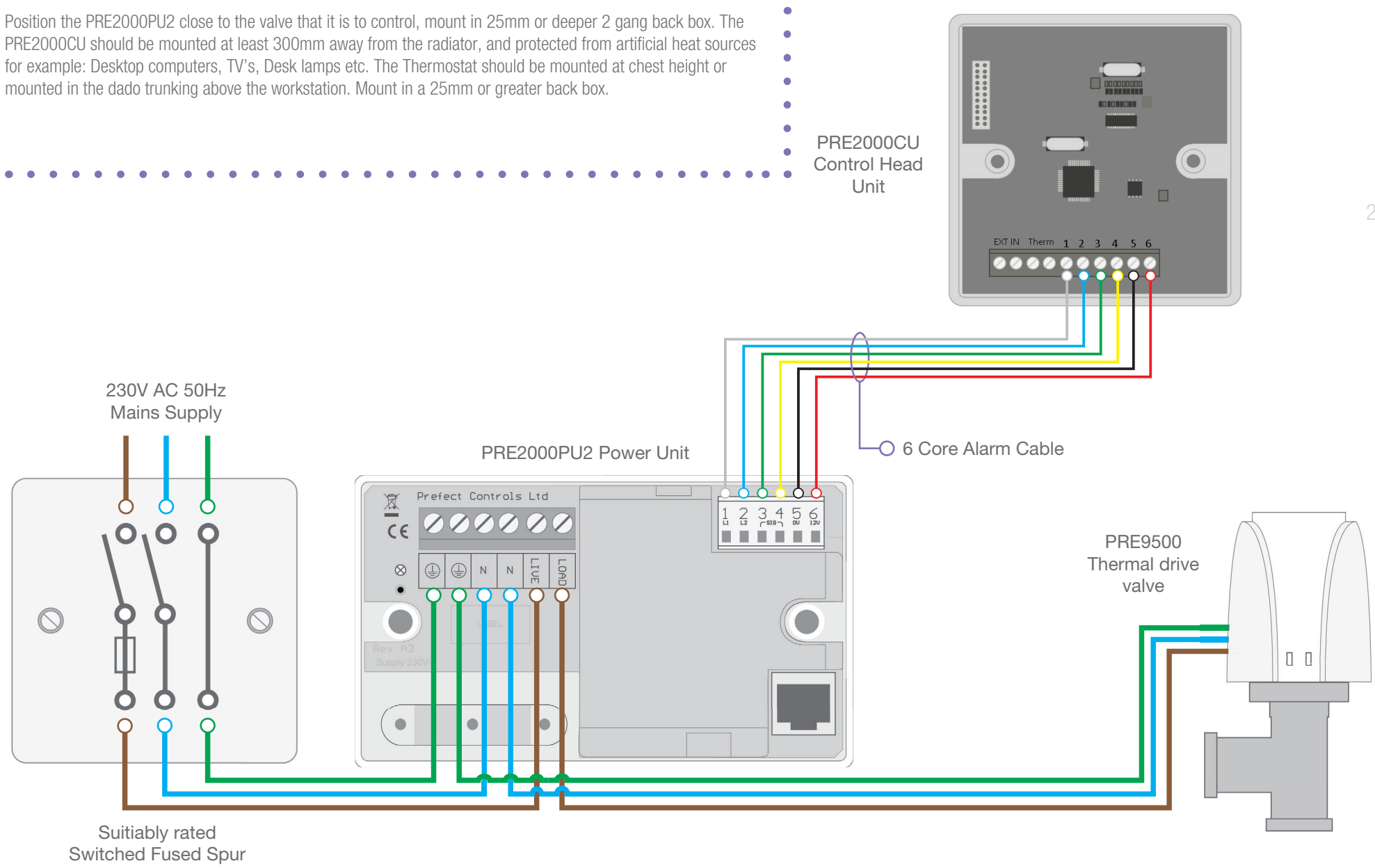


Position the PRE2000PU2 close to the valve that it is to control, mount in 25mm or deeper 2 gang back box. The PRE2000CU should be mounted at least 300mm away from the radiator, and protected from artificial heat sources for example: Desktop computers, TV's, Desk lamps etc. The Thermostat should be mounted at chest height or mounted in the dado trunking above the workstation. Mount in a 25mm or greater back box.



V1  
WD-118  
21/10/2016

